



Model: DLE-201

Data

Type: Semi-hermetic piston compressors

Producer: Copeland

Series: DL

Model: DLE-201

Technical data

Cylinder count:	2
Displacement [m ³ /h]:	9,9
Weight [kg]:	84
Oil charge [dm ³]:	2,3
Max. operating current [A]:	5,7
Locked rotor current [A]:	37,6
Power supply [V/~/Hz]:	380-420V/3/50Hz

Connections

	<u>milimeters</u>	<u>inches</u>
Suction line:		7/8"
Discharge line:		5/8"

Cooling capacity [kW]

t_c \ t_e	-40	-35	-30	-25	-20	-15	-10	-5	0	5	10
25	0.88	1.38	2.01	2.78	3.70	4.80	6.07	7.53	9.20	11.08	13.19
30	0.72	1.18	1.77	2.50	3.37	4.40	5.61	7.00	8.60	10.40	12.42
35	0.57	1.00	1.55	2.22	3.05	4.02	5.17	6.49	8.01	9.73	11.66
40	0.43	0.83	1.33	1.97	2.74	3.66	4.74	5.99	7.43	9.07	10.92
45	0.30	0.67	1.14	1.72	2.44	3.31	4.33	5.51	6.88	8.43	10.19
50	0.19	0.52	0.95	1.50	2.16	2.97	3.93	5.04	6.34	7.81	9.49
55	-	-	0.78	1.28	1.90	2.65	3.55	4.60	5.81	7.21	-
60	-	-	-	1.09	1.66	2.35	3.19	4.17	5.31	-	-

Power input [kW]

t_c \ t_e	-40	-35	-30	-25	-20	-15	-10	-5	0	5	10
25	0.99	1.13	1.26	1.39	1.50	1.60	1.67	1.71	1.71	1.66	1.57
30	0.97	1.12	1.27	1.42	1.56	1.69	1.79	1.86	1.90	1.90	1.84
35	0.94	1.11	1.28	1.45	1.61	1.76	1.90	2.00	2.08	2.11	2.10
40	0.91	1.09	1.27	1.46	1.65	1.83	1.99	2.13	2.24	2.31	2.34
45	0.88	1.07	1.27	1.47	1.68	1.88	2.07	2.24	2.39	2.50	2.57
50	0.84	1.04	1.25	1.48	1.71	1.93	2.15	2.34	2.52	2.67	2.78
55	-	-	1.24	1.48	1.72	1.97	2.21	2.44	2.64	2.82	-
60	-	-	-	1.47	1.73	2.00	2.26	2.52	2.75	-	-

Current [A]

$t_c \setminus t_e$	-40	-35	-30	-25	-20	-15	-10	-5	0	5	10
25	3.54	3.61	3.70	3.79	3.88	3.96	4.02	4.05	4.05	4.00	3.90
30	3.53	3.61	3.70	3.81	3.92	4.02	4.10	4.17	4.21	4.20	4.15
35	3.52	3.60	3.71	3.82	3.95	4.08	4.19	4.29	4.36	4.40	4.40
40	3.51	3.60	3.71	3.84	3.98	4.13	4.28	4.41	4.52	4.61	4.66
45	3.50	3.58	3.70	3.85	4.01	4.19	4.36	4.53	4.68	4.81	4.91
50	3.48	3.57	3.70	3.86	4.04	4.24	4.44	4.64	4.83	5.01	5.15
55	-	-	3.68	3.85	4.06	4.28	4.51	4.75	4.98	5.20	-
60	-	-	-	3.84	4.06	4.31	4.57	4.84	5.11	-	-

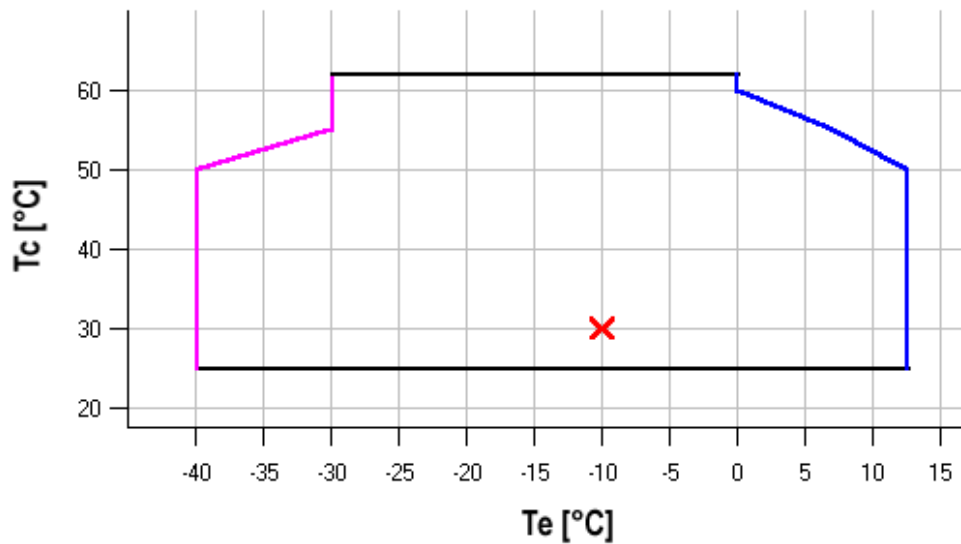
Mass flow [kg/s]

$t_c \setminus t_e$	-40	-35	-30	-25	-20	-15	-10	-5	0	5	10
25	19.17	29.77	42.80	58.41	76.78	98.09	122.50	150.18	181.32	216.08	254.63
30	16.30	26.52	39.16	54.40	72.40	93.34	117.40	144.73	175.53	209.95	248.17
35	13.48	23.30	35.55	50.40	68.03	88.60	112.29	139.27	169.71	203.79	241.67
40	10.71	20.13	31.98	46.44	63.69	83.88	107.20	133.81	163.90	197.62	235.16
45	8.01	17.02	28.47	42.54	59.39	79.20	102.14	128.39	158.10	191.47	228.66
50	5.42	14.01	25.06	38.72	55.17	74.59	97.15	123.01	152.36	185.36	222.18
55	-	-	21.75	35.00	51.04	70.06	92.23	117.71	146.67	179.30	-
60	-	-	-	31.40	47.04	65.65	87.41	112.50	141.08	-	-

C.O.P. [W/W]

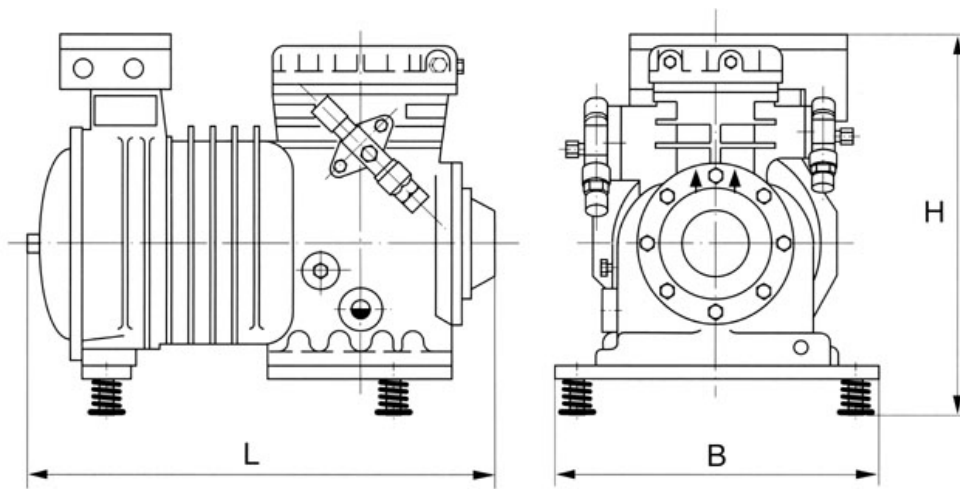
$t_c \setminus t_e$	-40	-35	-30	-25	-20	-15	-10	-5	0	5	10
25	0.89	1.23	1.59	2.00	2.46	3.00	3.63	4.40	5.38	6.66	8.43
30	0.74	1.06	1.39	1.76	2.16	2.61	3.13	3.76	4.52	5.48	6.74
35	0.60	0.90	1.21	1.54	1.89	2.28	2.72	3.24	3.85	4.60	5.55
40	0.47	0.76	1.05	1.34	1.66	2.00	2.38	2.81	3.32	3.92	4.66
45	0.35	0.63	0.90	1.17	1.45	1.75	2.09	2.46	2.88	3.38	3.97
50	0.23	0.50	0.76	1.01	1.27	1.54	1.83	2.15	2.51	2.93	3.42
55	-	-	0.63	0.87	1.10	1.35	1.61	1.89	2.20	2.56	-
60	-	-	-	0.74	0.96	1.18	1.41	1.66	1.93	-	-

Application range



- Maximum evaporating temperature
- 25°C suction gas return + additional cooling

Operating conditions: ISO; subcooling: 0 K, suction superheat: 10 K, return gas temperature: -
 t_c - Condensing temperature [°C]
 t_e - Evaporating temperature [°C]



L	460 mm
B	330 mm
H	385 mm

